

CONTROL

ICC TOUCHSCREEN. ADVANCED QUALITY CONTROL AND QUICK RUN UP TIME.

UC STRAIGHTFORWARD CRIMPING CONTROLLING.

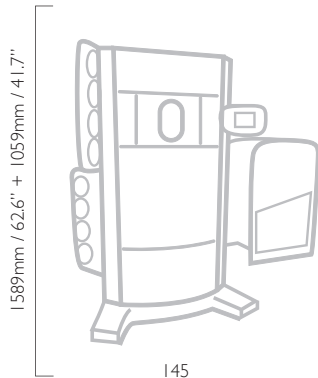


145

FINN-POWER SERIAL PRODUCTION MACHINES

145 – FAST AND ACCURATE

1063mm / 41.9" + 713mm / 28.1"



145

Finn-Power 145 is ideal for mid-range hydraulic and industrial hoses. Due to the large opening and strength Finn-Power 145 is suitable for mid-range hydraulic and industrial hoses. Finn-Power 145 crimping machine is an ideal choice when your operation requires crimping of very long ferrules. It has adapter dies with a length of 120 mm as a standard size.

OPTIONS

- QC-Tool base
- Foot pedal
- Electric backstop device
- Mechanical backstop device
- Mirror
- Auto greasing
- Side table
- Die set racks
- Connection kit
- Oil cooler
- Remote control unit
- Speed adjustment
- Pinning support mandrel
- AS3 signal option
- A3 signal option x communication*
- Bar Code Reader x BCR*
- Pressure crimping (UC1, ICC1)
- Step crimping (UC2, ICC2)
- Quality crimping (UC3, ICC3)
- Graphical quality crimping (ICC4)
- Camera**

DIE SET TABLE P32 & FP145

Pno	Crimp. range	D	L
18506/10	10.0 - 12.0	10	55
18506/12	12.0 - 14.0	12	55
18506/14	14.0 - 16.0	14	55
18506/16	16.0 - 19.0	16	55
18506/19	19.0 - 22.0	19	55
18506/22	22.0 - 26.0	22	70
18506/26	26.0 - 30.0	26	70
18506/30	30.0 - 34.0	30	70
18506/34	34.0 - 39.0	34	75
18506/39	39.0 - 45.0	39	75
18506/45	45.0 - 51.0	45	90
18506/51	51.0 - 57.0	51	90
18506/57	57.0 - 63.0	57	100
18506/63	63.0 - 69.0	63	110
18506/69	69.0 - 75.0	69	110
18506/74	74.0 - 80.0	74	110
18506/78	78.0 - 87.0	78	110
18506/63L	63.0 - 69.0	63	120
18506/69L	69.0 - 75.0	69	120
18506/74L	74.0 - 80.0	74	120
18506/78L	78.0 - 87.0	78	120
18860/84L	84.0 - 92.0	84	120
18860/92L	92.0 - 100	92	120
18860/100L	100.0 - 108.0	100	120
18860/108L	108.0 - 116.0	108	120
18860/116L	116.0 - 124.0	116	120

145	
Crimping range (mm) ¹⁾	10-124
Crimping range (inch) ¹⁾	0.39-4.88
Max opening (mm)	+82
Max. crimping force (kN)	3 500
Max. crimping force (tonnage)	350
Number of crimpings/hour ²⁾	2 400
Motor (kW)	7.5
Motor (HP)	10.0
Weight (kg)	875 / 182
Weight (lbs)	1 929 / 402

<http://powerco.lillbacka.com/products/heavy-duty-production>



1) With standard dies. Crimping range can be increased with special dies.

2) Theoretical with 10 mm opening.

* ICC 7", 12"
** ICC 12"